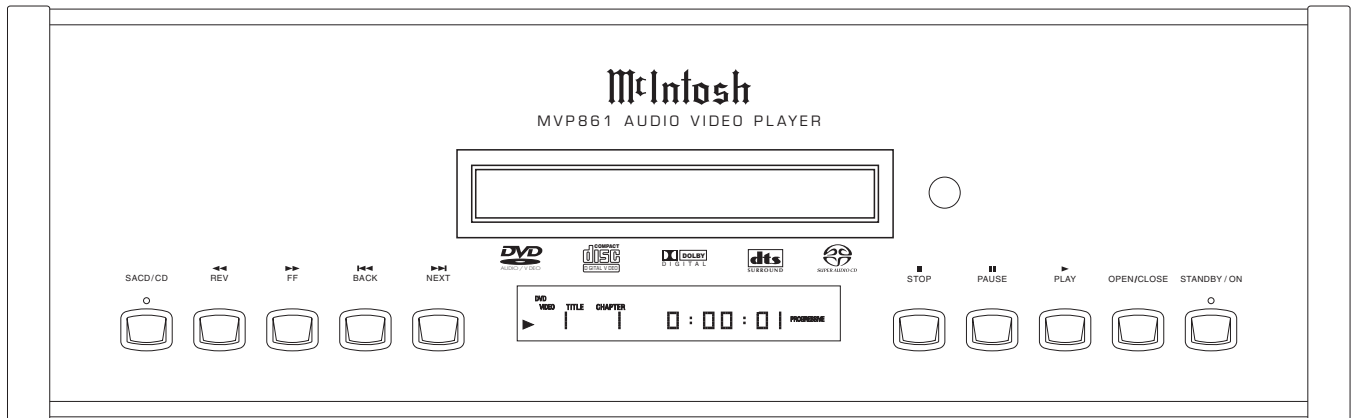




# MVP861

## AUDIO/VIDEO PLAYER



### CONTENTS

Performance Specifications .....	2	Main Schematic and PCB .....	9 - 16
Notes .....	3	Mechanism .....	17
Safety Information .....	3	Video .....	18
Rear Panel .....	5	Display Schematic and PCB .....	19 - 22
Section Location .....	5	Parts List .....	21 - 28
Block Diagram .....	6	Exploded View and Parts List .....	29 - 30
Interconnection Diagram .....	7 - 8	Repacking Instructions .....	31

# SERVICE MANUAL

# PERFORMANCE SPECIFICATIONS

## Audio Specifications

### Number of Channels

2 and 5.1

### Output Level

2.0Vrms Balanced (2 Channel Output)

2.0Vrms Unbalanced (2 Channel Output and 5.1 Channels)

### Output Impedance

600 ohms Balanced (2 Channel Output)

600 ohms Unbalanced (2 Channel Output and 5.1 Channels)

### Audio Frequency Response (DVD-Video)

4Hz to 22,000Hz (48kHz Sampling, Linear Audio)

4Hz to 44,000Hz (96kHz Sampling, Linear Audio)

### Audio Frequency Response (DVD-Audio)

4Hz to 88,000Hz (192kHz Sampling)

### SACD Frequency Response

4Hz to 100,000Hz

### CD Frequency Response

4Hz to 20,000Hz

### Signal to Noise Ratio

115dB

### Dynamic Range

Better than 110dB (Linear Audio)

### Harmonic Distortion

0.002%

### Channel Separation

Better than 110dB (1,000Hz)

## Video Specifications

### Signal System

NTSC/PAL Region Code 1

### Component Video Output Level

Y Output Level 1.0Vp-p (75 ohm)

P Output Level 0.648Vp-p (75 ohm)

P<sub>B</sub>  
R Output Level 0.7Vp-p (75 ohm)

### S-Video Y Output Level

1Vp-p (75 ohm)

### S-Video C Output Level

0.286Vp-p (75 ohm) (NTSC)

### Video Output Level

1Vp-p (75 ohm)

## General Specifications

### Digital Output

Optical: -15dbm to -21dbm

Coaxial: 0.5V p-p/75 ohm

### Digital Signal Format

Sampling Frequencies: 44,100Hz, 48,000Hz and 96,000Hz

### Transport

Laser Beam Wavelength: 630nm-810nm

Laser Power: CLASS I

### Power Requirements

100 Volts, 50/60Hz at 35 watts

110 Volts, 50/60Hz at 35 watts

120 Volts, 50/60Hz at 35 watts

220 Volts, 50/60Hz at 35 watts

230 Volts, 50/60Hz at 35 watts

240 Volts, 50/60Hz at 35 watts

*Note: Refer to the rear panel of the MVP861 for the correct voltage.*

### Overall Dimensions

Front Panel: 17-1/2 inches (44.45cm) wide, 5-3/8 inches


(13.69cm) high. Depth is 13-1/8 inches (33.38cm).

*Note: When the disc tray is opened, the panel clearance required in front of mounting panel is 6-3/4 inches (17.2cm).*

### Weight

21.5 pounds (9.8kg) net, 35.5 pounds (16.1kg) in shipping carton

# NOTES

1. The heavy notes on the schematic denote the primary signal path.
2. Unless otherwise noted, all voltages indicated on the schematics are measured under the following conditions:
  - a. AC input at 120 volts, 50/60Hz.
  - b. All voltages are +/-10% with respect to ground. A high impedance (10 megaohm) voltmeter must be used.
3. Unless otherwise specified:
  - a. Resistor values are in ohms.
  - b. Capacitor values are microfarads (uF).
  - c. Inductor values are in microhenries (uH).
4. On PC board drawings, Square pad indicates:
  - a. Polarized Capacitors - Positive
  - b. Diodes - Cathode
  - c. Others - Pin 1
5. **WARNING**  
Parts marked with the symbol  have critical characteristics. Use only replacement parts recommended by the manufacturer.
6. Use McIntosh Remote Control Model HR052 with the MVP861.

## SAFETY INFORMATION

**CAUTION:** Invisible Laser Radiation when open. DO NOT stare into the beam or view directly with optical instruments. Use of controls or adjustments or performance of procedures other than those specified in the Owners Manual may result in Hazardous Radiation Exposure.

**This product incorporates an embedded Class 3R Laser (IEC60825-1).**

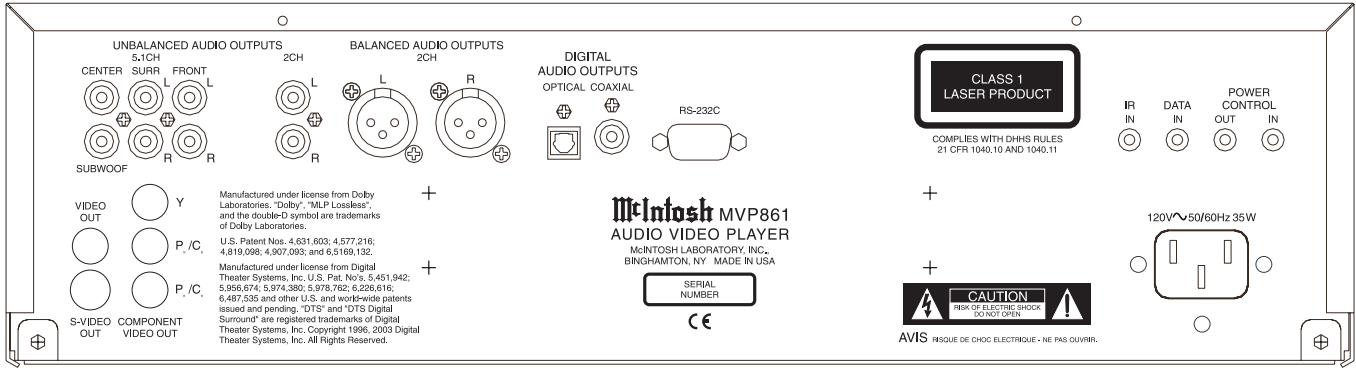
### LUOKAN 1 LASERLAITE KLASS 1 LASER APPARAT

**VAROITUS!** Laitteen käyttäminen muulla kuin tassa käyttöohjeessa mainitulla tavalla saattaa altistaa käyttäjän turvallisuusluokan 1 ylittävälle näkymättömälle lasersäteilylle.

**VARNING!** Om apparaten används på annat sätt än i denna bruksanvisning specificerats, kan användaren utsättas för osynlig laserstrålning, som överskrider gränsen för laserklass 1.

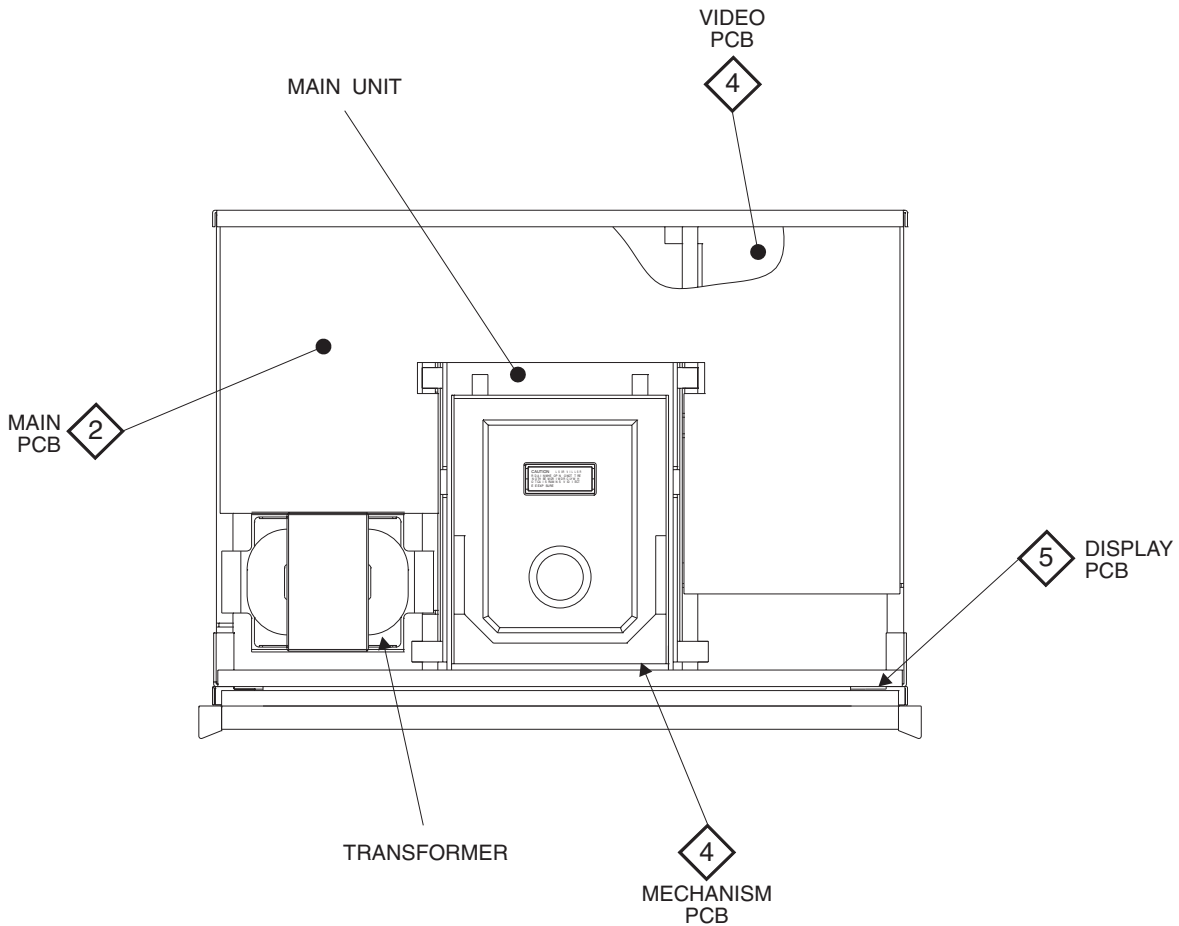
# *NOTES*

# REAR PANEL

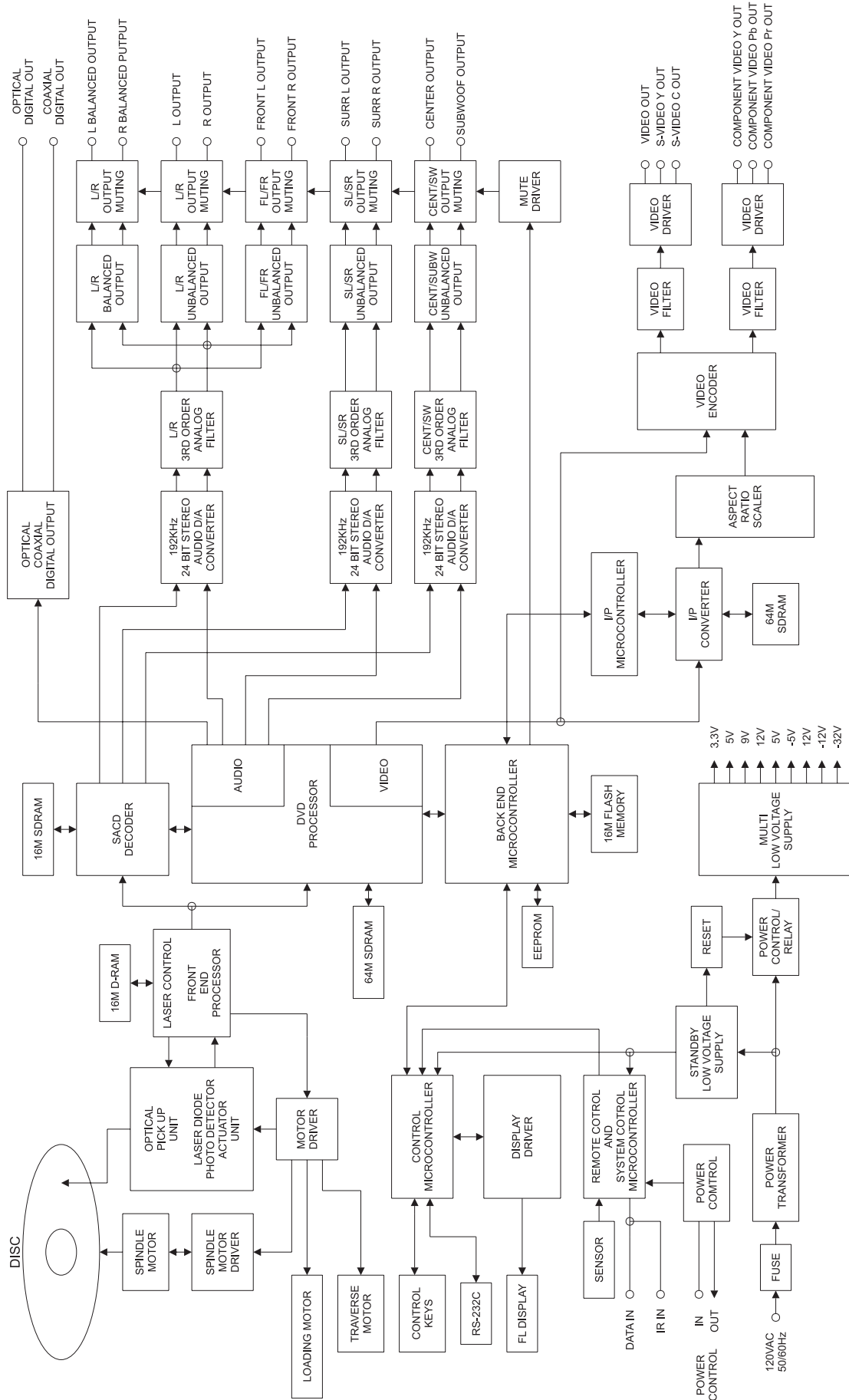


# SECTION LOCATIONS

TOP VIEW WITH COVER REMOVED



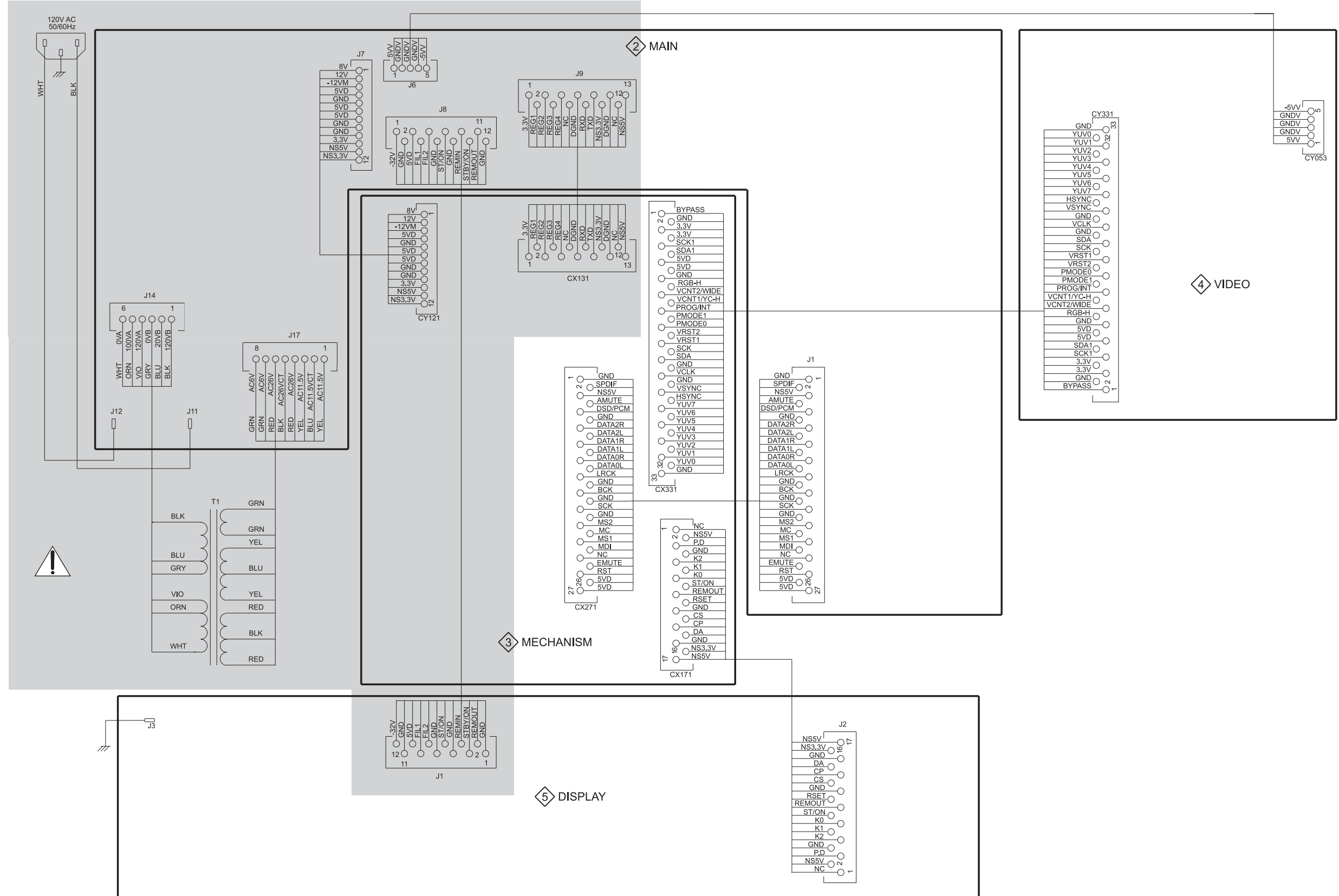
# BLOCK DIAGRAM



# INTERCONNECT

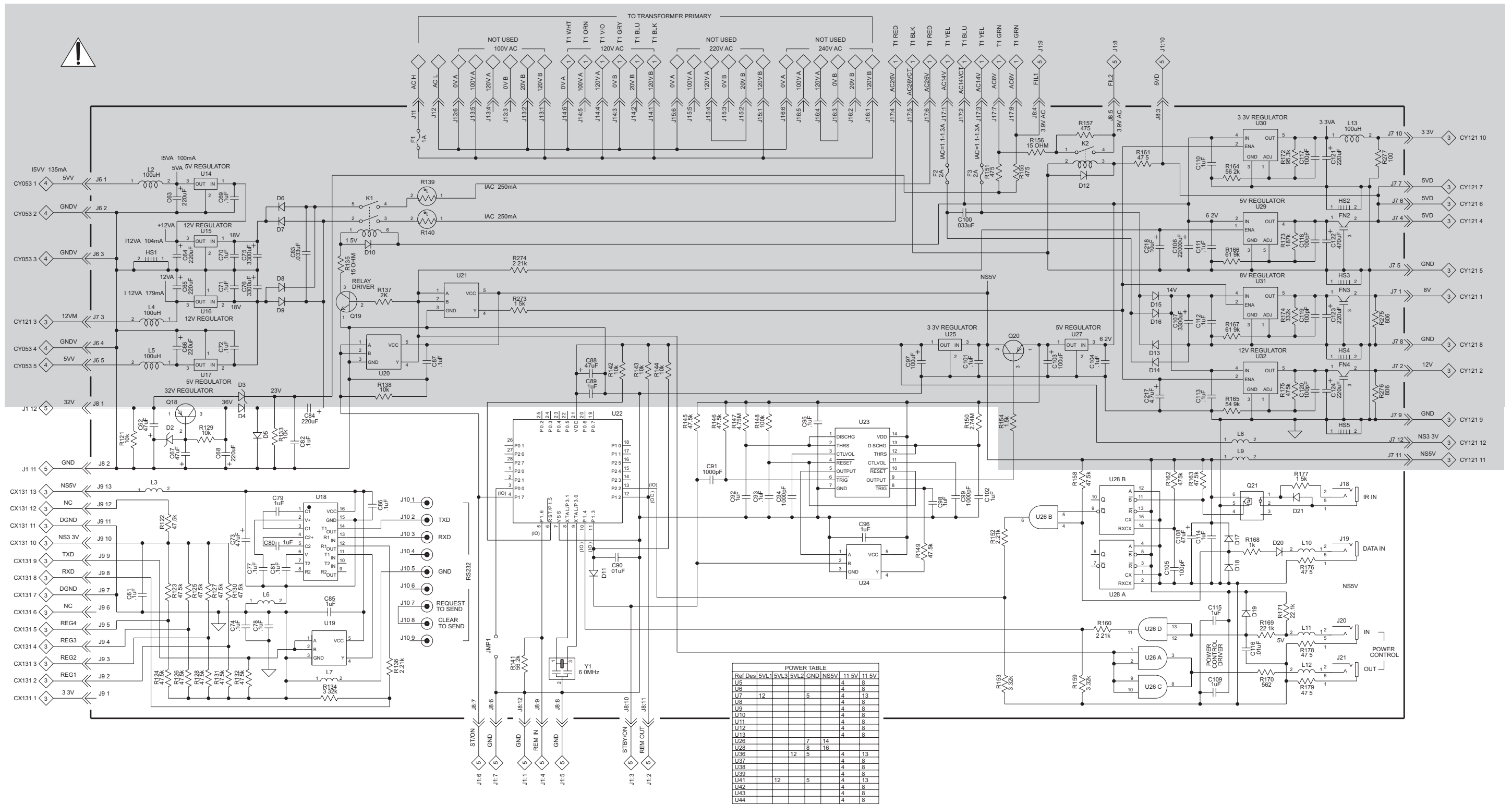
## MVP861

**!** WARNING Parts located in the shaded area have critical characteristics. Use only replacement parts recommended by the manufacturer.



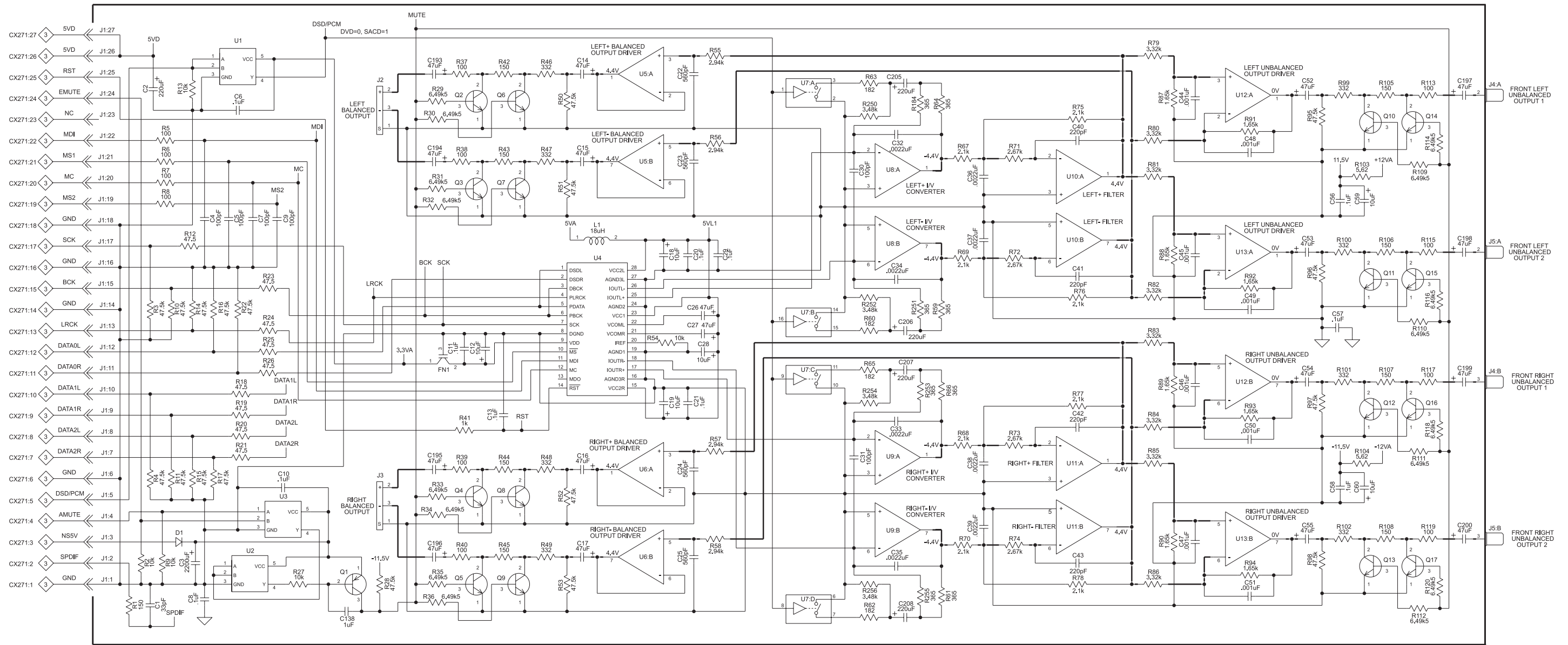
# 2 MAIN 050114 SH 1 OF 3

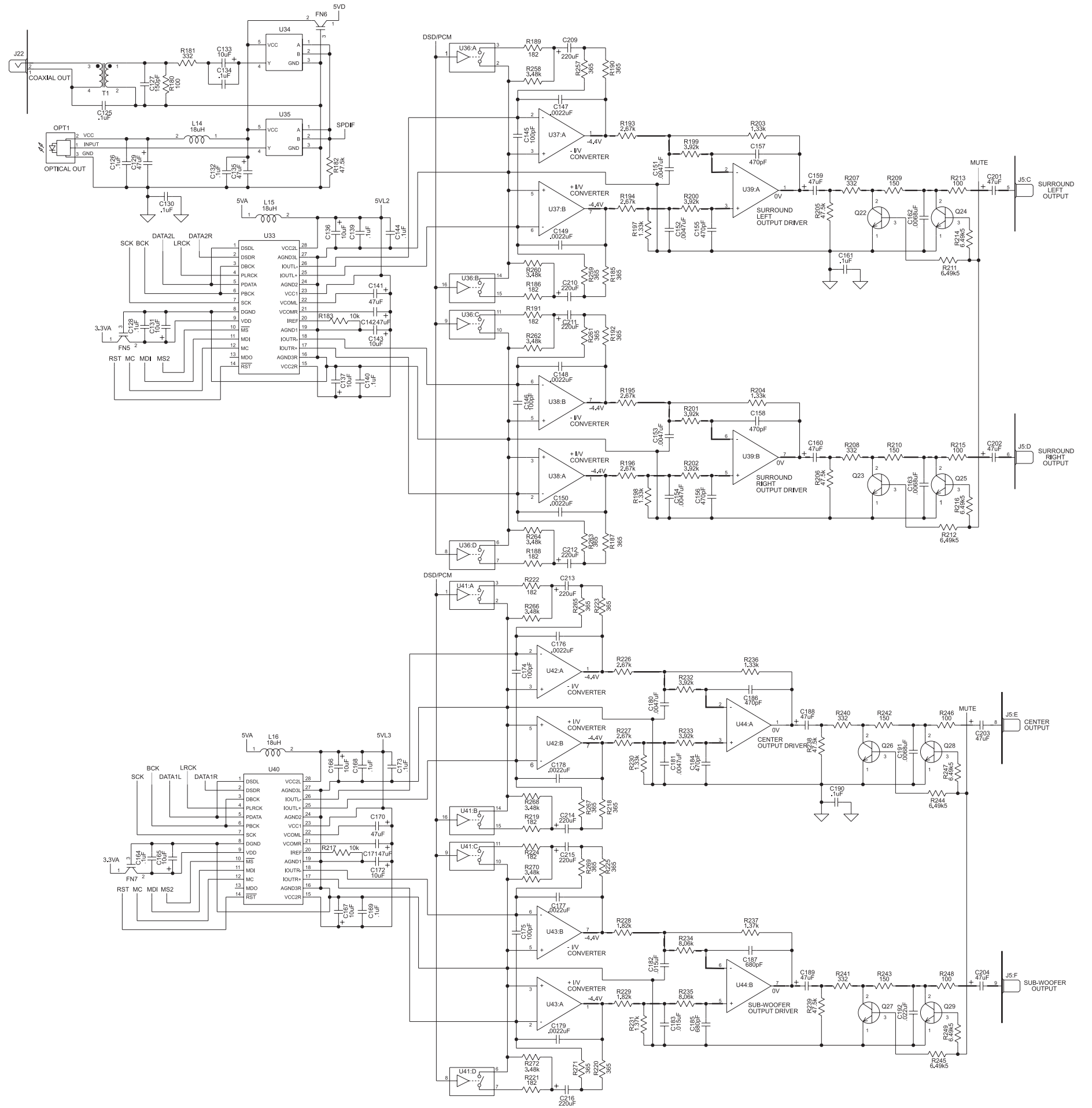
**WARNING** Parts located in the shaded area have critical characteristics. Use only replacement parts recommended by the manufacturer.



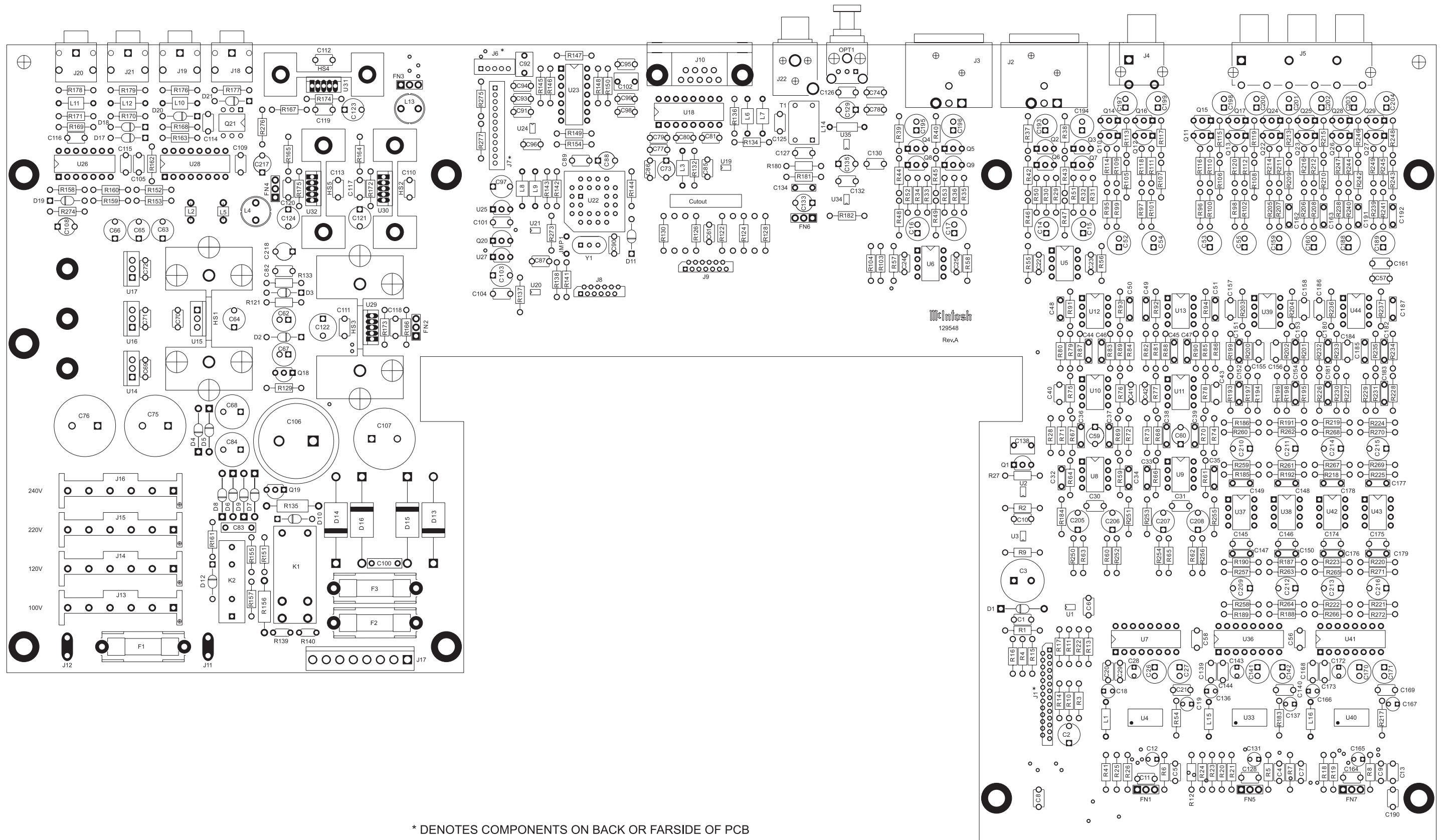


2 MAIN 050114 SH 2 OF 3

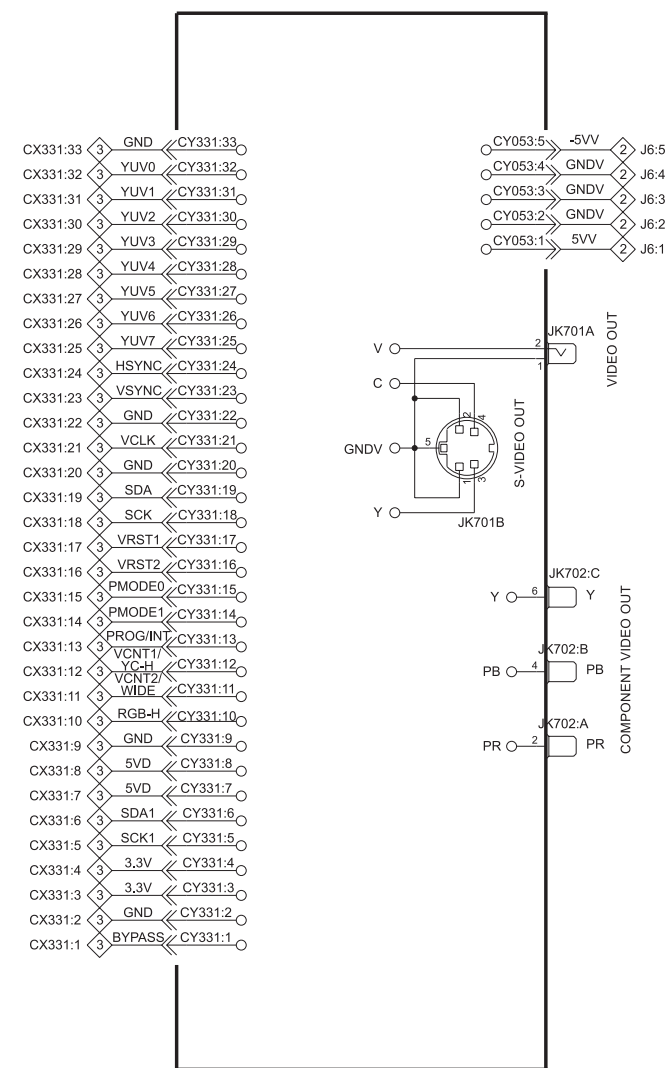
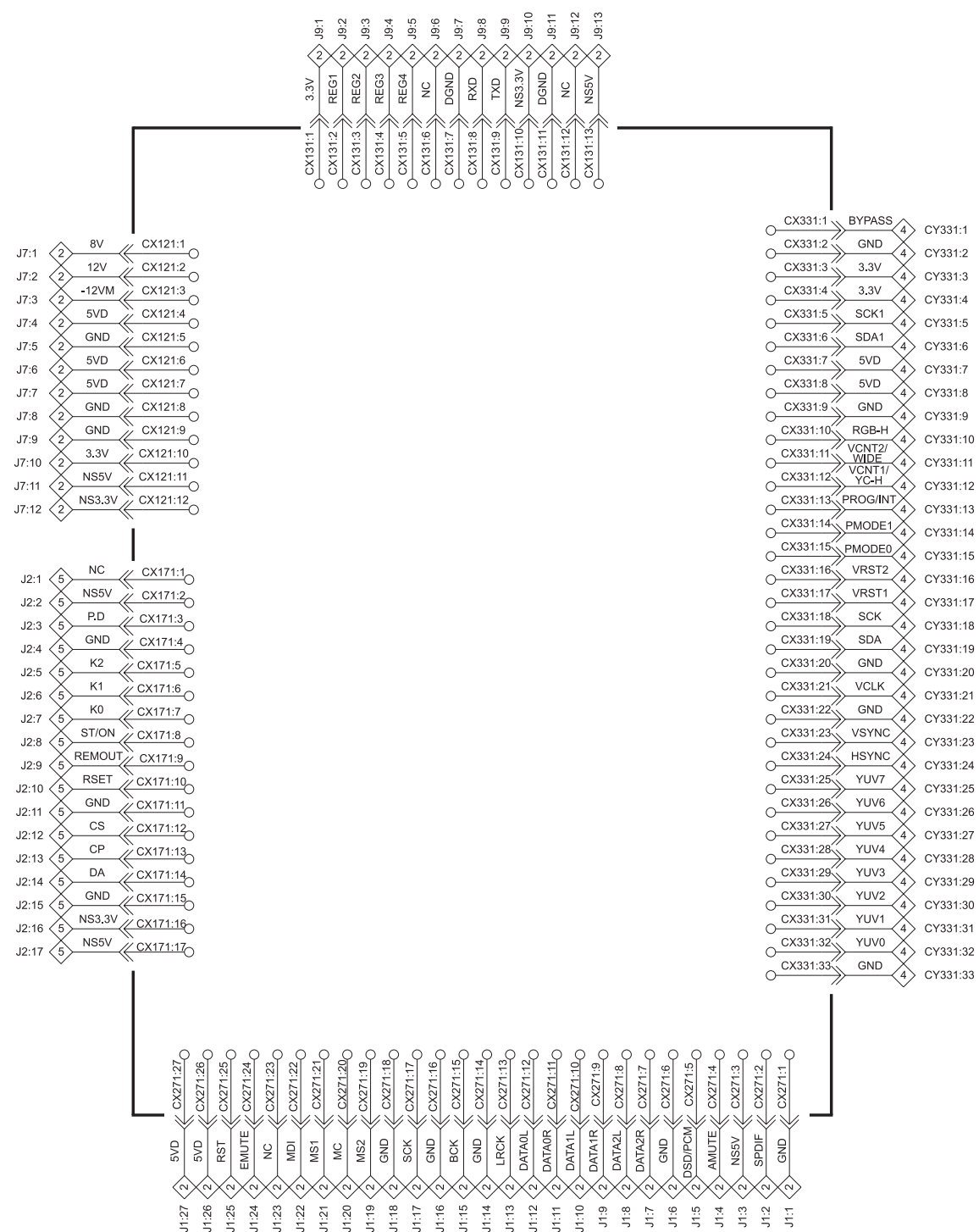


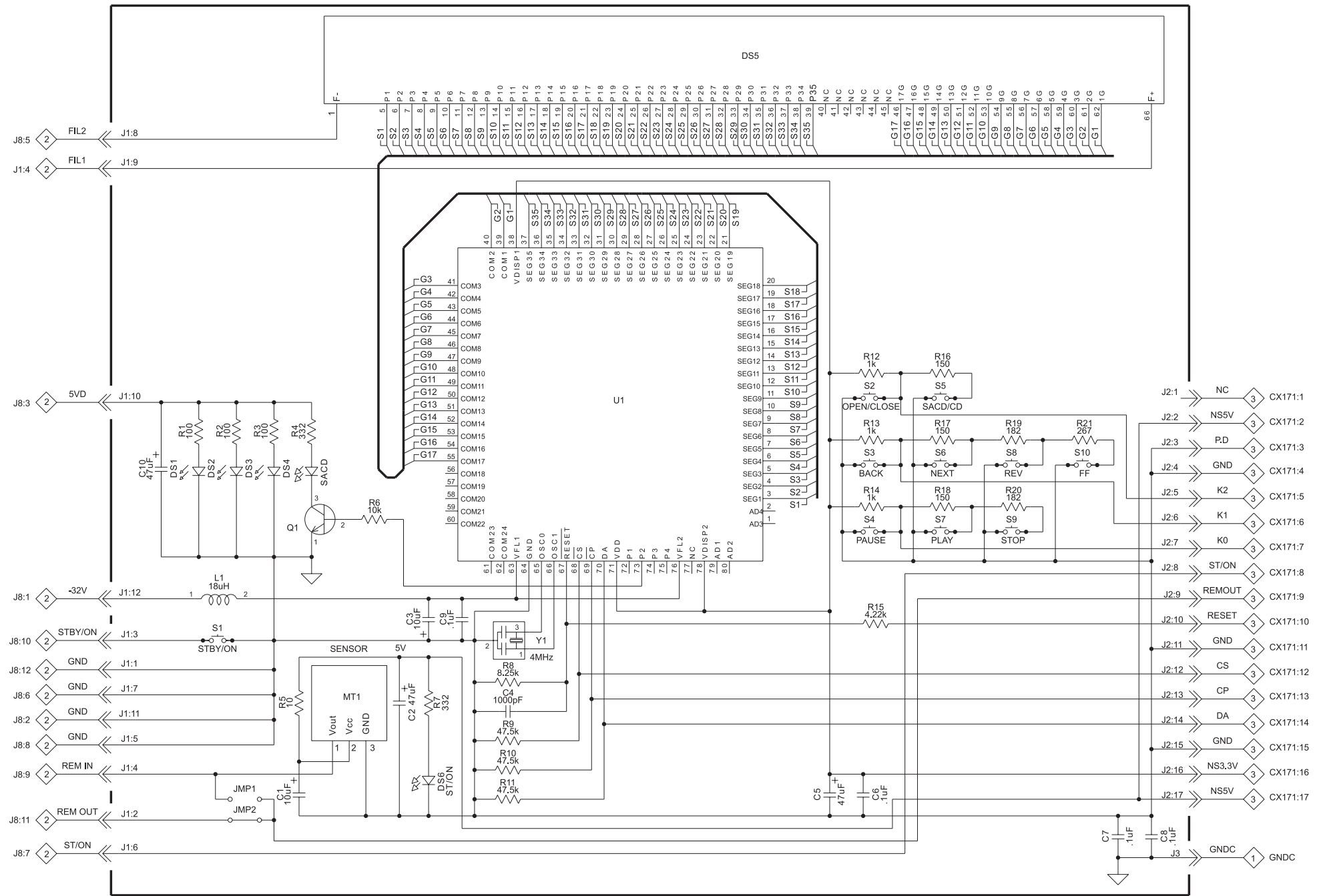


2 MAIN 050114



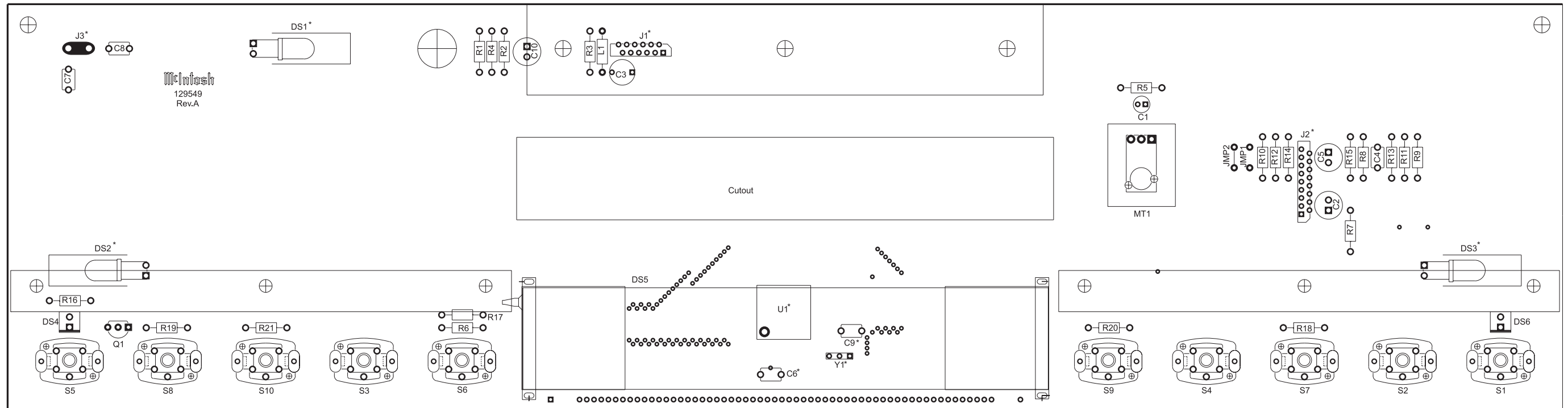
\* DENOTES COMPONENTS ON BACK OR FARSIDE OF PCB







**5** DISPLAY 050115



\* DENOTES COMPONENTS ON BACK OR FAR SIDE OF PCB.

**PARTS LIST**

Ref. No.	Description	Part No.						
<b>MAIN PCB 050114</b>								
C1	CAP MONO 33PF 200V 5%NPO T&R	061307	C30	CAP MONO 100PF 100V 10% NPO	061300	C61	CAP MONO .1uF 50V 20% Z5U	061305
C2	CAP ELECT 220UF 25V	066507	C31	CAP MONO 100PF 100V 10% NPO	061300	C62	CAP ELECT 47UF 50V	066215
C3	CAP ELECT 220UF 25V 20%	066441	C32	CAP MPF 0.0022UF 5% 63VDC	064304	C63	CAP ELECT 220UF 25V	066507
C4	CAP MONO 100PF 100V 10% NPO	061300	C33	CAP MPF 0.0022UF 5% 63VDC	064304	C64	CAP ELECT 220UF 25V	066507
C5	CAP MONO 100PF 100V 10% NPO	061300	C34	CAP MPF 0.0022UF 5% 63VDC	064304	C65	CAP ELECT 220UF 25V	066507
C6	CAP MONO .1uF 50V 20% Z5U	061305	C35	CAP MPF 0.0022UF 5% 63VDC	064304	C66	CAP ELECT 220UF 25V	066507
C7	CAP MONO 100PF 100V 10% NPO	061300	C36	CAP MPF 0.0022UF 5% 63VDC	064304	C67	CAP ELECT 47UF 50V	066215
C8	CAP MONO .1uF 50V 20% Z5U	061305	C37	CAP MPF 0.0022UF 5% 63VDC	064304	C68	CAP ELECT 220UF 50V 20%	066254
C9	CAP MONO 100PF 100V 10% NPO	061300	C38	CAP MPF 0.0022UF 5% 63VDC	064304	C69	CAP MONO .1uF 50V 20% Z5U	061305
C10	CAP MONO .1uF 50V 20% Z5U	061305	C39	CAP MPF 0.0022UF 5% 63VDC	064304	C70	CAP MONO .1uF 50V 20% Z5U	061305
C11	CAP MONO .1uF 50V 20% Z5U	061305	C40	CAP MONO 220PF 100V 10% NPO	061301	C71	CAP MONO .1uF 50V 20% Z5U	061305
C12	CAP ELECT 10UF 16V	066555	C41	CAP MONO 220PF 100V 10% NPO	061301	C72	CAP MONO .1uF 50V 20% Z5U	061305
C13	CAP MONO .1uF 50V 20% Z5U	061305	C42	CAP MONO 220PF 100V 10% NPO	061301	C73	CAP ELECT 47UF 35V	066446
C14	CAP ELECT 47UF 16V	066380	C43	CAP MONO 220PF 100V 10% NPO	061301	C74	CAP MONO .1uF 50V 20% Z5U	061305
C15	CAP ELECT 47UF 16V	066380	C44	CAP PF 0.001UF 5% 63VDC	064300	C75	CAP ELECT 330UF 35V	066509
C16	CAP ELECT 47UF 16V	066380	C45	CAP PF 0.001UF 5% 63VDC	064300	C76	CAP ELECT 330UF 35V	066509
C17	CAP ELECT 47UF 16V	066380	C46	CAP PF 0.001UF 5% 63VDC	064300	C77	CAP MONO .1uF 50V 20% Z5U	061305
C18	CAP ELECT 10UF 16V	066555	C47	CAP PF 0.001UF 5% 63VDC	064300	C78	CAP MONO .1uF 50V 20% Z5U	061305
C19	CAP ELECT 10UF 16V	066555	C48	CAP PF 0.001UF 5% 63VDC	064300	C79	CAP MONO .1uF 50V 20% Z5U	061305
C20	CAP MONO .1uF 50V 20% Z5U	061305	C49	CAP PF 0.001UF 5% 63VDC	064300	C80	CAP MONO .1uF 50V 20% Z5U	061305
C21	CAP MONO .1uF 50V 20% Z5U	061305	C50	CAP PF 0.001UF 5% 63VDC	064300	C81	CAP MONO .1uF 50V 20% Z5U	061305
C22	CAP MONO 560PF 200V 5%	061308	C51	CAP PF 0.001UF 5% 63VDC	064300	C82	CAP MONO .1uF 50V 20% Z5U	061305
C23	CAP MONO 560PF 200V 5%	061308	C52	CAP ELECT 47UF 16V	066380	C83	CAP MPF 0.033UF 100V 10%	064427
C24	CAP MONO 560PF 200V 5%	061308	C53	CAP ELECT 47UF 16V	066380	C84	CAP ELECT 220UF 50V 20%	066254
C25	CAP MONO 560PF 200V 5%	061308	C54	CAP ELECT 47UF 16V	066380	C85	CAP MONO .1uF 50V 20% Z5U	061305
C26	CAP ELECT 47UF 16V	066380	C55	CAP ELECT 47UF 16V	066380	C86	CAP MONO .1uF 50V 20% Z5U	061305
C27	CAP ELECT 47UF 16V	066380	C56	CAP MONO .1uF 50V 20% Z5U	061305	C87	CAP MONO .1uF 50V 20% Z5U	061305
C28	CAP ELECT 10UF 16V	066555	C57	CAP MONO .1uF 50V 20% Z5U	061305	C88	CAP ELECT 47UF 35V	066446
C29	CAP MONO .1uF 50V 20% Z5U	061305	C58	CAP MONO .1uF 50V 20% Z5U	061305	C89	CAP MONO .1uF 50V 20% Z5U	061305
			C59	CAP ELECT 10UF 50V	066445	C90	CAP MONO .01UF 50V 20% X7R	061304
			C60	CAP ELECT 10UF 50V	066445	C91	CAP MONO 1000PF 50V 10% NPO	061303

## PARTS LIST con't

C92	CAP MPF 1UF 5% 63VDC	064337	C160	CAP ELECT 47UF 16V	066380	D12	DIODE SILICON	070047
C93	CAP MONO .1uF 50V 20% Z5U	061305	C161	CAP MONO .1uF 50V 20% Z5U	061305	D13	SCHOTTKY RECTIFIER 5A 100V	070171
C94	CAP MONO 1000PF 50V 10% NPO	061303	C162	CAP MPF 0.0068UF 5% 63VDC	064310	D14	SCHOTTKY RECTIFIER 5A 100V	070171
C95	CAP MONO .1uF 50V 20% Z5U	061305	C163	CAP MPF 0.0068UF 5% 63VDC	064310	D15	SCHOTTKY RECTIFIER 5A 100V	070171
C96	CAP MONO .1uF 50V 20% Z5U	061305	C164	CAP MONO .1uF 50V 20% Z5U	061305	D16	SCHOTTKY RECTIFIER 5A 100V	070171
C97	CAP ELECT 100UF 25V	066447	C165	CAP ELECT 10UF 16V	066555	D17	DIODE SILICON	070047
C98	CAP MONO .1uF 50V 20% Z5U	061305	C166	CAP ELECT 10UF 16V	066555	D18	DIODE SILICON	070047
C99	CAP MONO 1000PF 50V 10% NPO	061303	C167	CAP ELECT 10UF 16V	066555	D19	DIODE SILICON	070047
C100	CAP MPF 0.033UF 100V 10%	064427	C168	CAP MONO .1uF 50V 20% Z5U	061305	D20	DIODE SILICON	070047
C101	CAP MONO .1uF 50V 20% Z5U	061305	C169	CAP MONO .1uF 50V 20% Z5U	061305	D21	DIODE SILICON	070047
C102	CAP MPF 1UF 5% 63VDC	064337	C170	CAP ELECT 47UF 16V	066380	F1	FUSE 1A 250V SB 5X20 ULCSA IEC	089107
C103	CAP ELECT 100UF 25V	066447	C171	CAP ELECT 47UF 16V	066380	F2	FUSE 2A 250V SLO-BLO 5X20 IEC	089088
C104	CAP MONO .1uF 50V 20% Z5U	061305	C172	CAP ELECT 10UF 16V	066555	F3	FUSE 2A 250V SLO-BLO 5X20 IEC	089088
C105	CAP MONO 100PF 100V 10% NPO	061300	C173	CAP MONO .1uF 50V 20% Z5U	061305	FN1	FILTER EMI	180057
C106	CAP ELECT 22000UF 16V 20%	066552	C174	CAP MONO 100PF 100V 10% NPO	061300	FN2	FILTER EMI	180057
C107	CAP ELECT 3300UF 35V	066509	C175	CAP MONO 100PF 100V 10% NPO	061300	FN3	FILTER EMI	180057
C108	CAP ELECT 47UF 35V	066446	C176	CAP MPF 0.0022UF 5% 63VDC	064304	FN4	FILTER EMI	180057
C109	CAP MONO .1uF 50V 20% Z5U	061305	C177	CAP MPF 0.0022UF 5% 63VDC	064304	FN5	FILTER EMI	180057
C110	CAP MONO .1uF 50V 20% Z5U	061305	C178	CAP MPF 0.0022UF 5% 63VDC	064304	FN6	FILTER EMI	180057
C111	CAP MONO .1uF 50V 20% Z5U	061305	C179	CAP MPF 0.0022UF 5% 63VDC	064304	FN7	FILTER EMI	180057
C112	CAP MONO .1uF 50V 20% Z5U	061305	C180	CAP MPF 0.0047UF 5% 63VDC	064308	HS1	HEATSINK TO-220	080017
C113	CAP MONO .1uF 50V 20% Z5U	061305	C181	CAP MPF 0.0047UF 5% 63VDC	064308	HS2	HEATSINK TO220	080019
C114	CAP MONO .1uF 50V 20% Z5U	061305	C182	CAP MPF 0.015UF 5% 63VDC	064314	HS3	HEATSINK TO-220	080017
C115	CAP MONO .1uF 50V 20% Z5U	061305	C183	CAP MPF 0.015UF 5% 63VDC	064314	HS4	HEATSINK TO220	080019
C116	CAP MONO .01UF 50V 20% X7R	061304	C184	CAP MONO 470PF 100V 10%	061302	HS5	HEATSINK TO220	080019
C117	CAP MONO 100PF 100V 10% NPO	061300	C185	CAP PF 680PF 5% 160VDC	064298	J1	FFC CONNECTOR 27PIN	117854
C118	CAP MONO 100PF 100V 10% NPO	061300	C186	CAP MONO 470PF 100V 10%	061302	J2	RECEPTACLE XLR MALE	117686
C119	CAP MONO 100PF 100V 10% NPO	061300	C187	CAP PF 680PF 5% 160VDC	064298	J3	RECEPTACLE XLR MALE	117686
C120	CAP MONO 100PF 100V 10% NPO	061300	C188	CAP ELECT 47UF 16V	066380	J4	JACK RCA 1X2 WHT/RED 14MM	117788
C121	CAP ELECT 220UF 25V	066507	C189	CAP ELECT 47UF 16V	066380	J5	JACK RCA 3X2 WHT/RED 14MM	117790
C122	CAP ELECT 470UF 16V	066508	C190	CAP MONO .1uF 50V 20% Z5U	061305	J6	SHROUDED HEADER 5 PIN	117852
C123	CAP ELECT 220UF 25V	066507	C191	CAP MPF 0.0068UF 5% 63VDC	064310	J7	12 PIN SHROUDED HEADER	117796
C124	CAP ELECT 220UF 25V	066507	C192	CAP MPF 0.022UF 5% 63VDC	064316	J8	CONN 12 PIN FFC	117720
C125	CAP MONO .1uF 50V 20% Z5U	061305	C193	CAP ELECT 47UF 16V	066380	J9	CONN 13 PIN FFC	117861
C126	CAP MONO .1uF 50V 20% Z5U	061305	C194	CAP ELECT 47UF 16V	066380	J10	CONN SUB-D 9 PIN	117507
C127	CAP MONO 150pF 200V 5%	061310	C195	CAP ELECT 47UF 16V	066380	J11	BLADE FASTON W/FEET	117708
C128	CAP MONO .1uF 50V 20% Z5U	061305	C196	CAP ELECT 47UF 16V	066380	J12	BLADE FASTON W/FEET	117708
C129	CAP ELECT 47UF 35V	066446	C197	CAP ELECT 47UF 16V	066380	J13	CONN PCB MOUNT POWER RED	117719
C130	CAP MONO .1uF 50V 20% Z5U	061305	C198	CAP ELECT 47UF 16V	066380	J14	CONN PCB MOUNT POWER RED	117719
C131	CAP ELECT 10UF 16V	066555	C199	CAP ELECT 47UF 16V	066380	J15	CONN PCB MOUNT POWER RED	117719
C132	CAP MONO .1uF 50V 20% Z5U	061305	C200	CAP ELECT 47UF 16V	066380	J16	CONN PCB MOUNT POWER RED	117719
C133	CAP ELECT 10UF 50V	066445	C201	CAP ELECT 47UF 16V	066380	J17	HEADER 8 PIN MTA-156	117717
C134	CAP MPF 0.1UF 5% 63VDC	064325	C202	CAP ELECT 47UF 16V	066380	J18	JACK HEADPHONE STEREO 1/8IN	117759
C135	CAP ELECT 47UF 35V	066446	C203	CAP ELECT 47UF 16V	066380	J19	JACK HEADPHONE STEREO 1/8IN	117759
C136	CAP ELECT 10UF 16V	066555	C204	CAP ELECT 47UF 16V	066380	J20	JACK HEADPHONE STEREO 1/8IN	117759
C137	CAP ELECT 10UF 16V	066555	C205	CAP ELECT 220UF 25V	066507	J21	JACK HEADPHONE STEREO 1/8IN	117759
C138	CAP MPF 1UF 5% 63VDC	064337	C206	CAP ELECT 220UF 25V	066507	J22	JACK RCA ORANGE WITH GOLD	117798
C139	CAP MONO .1uF 50V 20% Z5U	061305	C207	CAP ELECT 220UF 25V	066507	K1	RELAY 5V DPST	087074
C140	CAP MONO .1uF 50V 20% Z5U	061305	C208	CAP ELECT 220UF 25V	066507	K2	RELAY REED FORM 1A 5V 500 OHMS	087050
C141	CAP ELECT 47UF 16V	066380	C209	CAP ELECT 220UF 25V	066507	L1	CHOKE 18UH 5%-10%	122224
C142	CAP ELECT 47UF 16V	066380	C210	CAP ELECT 220UF 25V	066507	L2	INDUCTOR 100UH POWER	122312
C143	CAP ELECT 10UF 16V	066555	C211	CAP ELECT 220UF 25V	066507	L3	BEADS FERRITE LEADED	076019
C144	CAP MONO .1uF 50V 20% Z5U	061305	C212	CAP ELECT 220UF 25V	066507	L4	INDUCTOR 100UH POWER	122312
C145	CAP MONO 100PF 100V 10% NPO	061300	C213	CAP ELECT 220UF 25V	066507	L5	INDUCTOR 100UH POWER	122312
C146	CAP MONO 100PF 100V 10% NPO	061300	C214	CAP ELECT 220UF 25V	066507	L6	BEADS FERRITE LEADED	076019
C147	CAP MPF 0.0022UF 5% 63VDC	064304	C215	CAP ELECT 220UF 25V	066507	L7	BEADS FERRITE LEADED	076019
C148	CAP MPF 0.0022UF 5% 63VDC	064304	C216	CAP ELECT 220UF 25V	066507	L8	BEADS FERRITE LEADED	076019
C149	CAP MPF 0.0022UF 5% 63VDC	064304	C217	CAP ELECT 4.7UF 50V	066512	L9	BEADS FERRITE LEADED	076019
C150	CAP MPF 0.0022UF 5% 63VDC	064304	C218	CAP ELECT 10UF 50V	066445	L10	FERRITE	076019
C151	CAP MPF 0.0047UF 5% 63VDC	064308	D1	DIODE RECTIFIER	070131	L11	FERRITE	076019
C152	CAP MPF 0.0047UF 5% 63VDC	064308	D2	DIODE ZENER 33V 5% 1/2W	070121	L12	FERRITE	076019
C153	CAP MPF 0.0047UF 5% 63VDC	064308	D3	DIODE SENER 6.2V 5% 500MW	070085	L13	INDUCTOR 100UH POWER	122312
C154	CAP MPF 0.0047UF 5% 63VDC	064308	D4	DIODE RECTIFIER	070131	L14	CHOKE 18UH 5%-10%	122224
C155	CAP MONO 470PF 100V 10%	061302	D5	DIODE RECTIFIER	070131	L15	CHOKE 18UH 5%-10%	122224
C156	CAP MONO 470PF 100V 10%	061302	D6	DIODE RECTIFIER	070131	L16	CHOKE 18UH 5%-10%	122224
C157	CAP MONO 470PF 100V 10%	061302	D7	DIODE RECTIFIER	070131	OPT 1	TRANSMITTER FIBER OPTIC	058157
C158	CAP MONO 470PF 100V 10%	061302	D8	DIODE RECTIFIER	070131	Q1	TRANSISTOR PNP	132224
C159	CAP ELECT 47UF 16V	066380	D9	DIODE RECTIFIER	070131	Q2	TRANSISTOR SI NPN 25V	132257
			D10	DIODE SILICON	070047	Q3	TRANSISTOR SI NPN 25V	132257
			D11	DIODE SILICON	070047	Q4	TRANSISTOR SI NPN 25V	132257

# PARTS LIST con't

Q5	TRANSISTOR SI NPN 25V	132257	R44	RES MF 150 OHM 1% 1/4W	144122	R114	RES MF 6.49K .5% 1/4W	144401
Q6	TRANSISTOR SI NPN 25V	132257	R45	RES MF 150 OHM 1% 1/4W	144122	R115	RES MF 100 OHM 1% 1/4W	144196
Q7	TRANSISTOR SI NPN 25V	132257	R46	RES MF 332 OHM 1% 1/4W	144446	R116	RES MF 6.49K .5% 1/4W	144401
Q8	TRANSISTOR SI NPN 25V	132257	R47	RES MF 332 OHM 1% 1/4W	144446	R117	RES MF 100 OHM 1% 1/4W	144196
Q9	TRANSISTOR SI NPN 25V	132257	R48	RES MF 332 OHM 1% 1/4W	144446	R118	RES MF 6.49K .5% 1/4W	144401
Q10	TRANSISTOR SI NPN 25V	132257	R49	RES MF 332 OHM 1% 1/4W	144446	R119	RES MF 100 OHM 1% 1/4W	144196
Q11	TRANSISTOR SI NPN 25V	132257	R50	RES MF 47.5K 1% 1/4W	144108	R120	RES MF 6.49K .5% 1/4W	144401
Q12	TRANSISTOR SI NPN 25V	132257	R51	RES MF 47.5K 1% 1/4W	144108	R121	RES MF 10K 1% 1/4W	144053
Q13	TRANSISTOR SI NPN 25V	132257	R52	RES MF 47.5K 1% 1/4W	144108	R122	RES MF 47.5K 1% 1/4W	144108
Q14	TRANSISTOR SI NPN 25V	132257	R53	RES MF 47.5K 1% 1/4W	144108	R123	RES MF 47.5K 1% 1/4W	144108
Q15	TRANSISTOR SI NPN 25V	132257	R54	RES MF 10K 1% 1/4W	144053	R124	RES MF 47.5K 1% 1/4W	144108
Q16	TRANSISTOR SI NPN 25V	132257	R55	RES MF 2.94K 1% 1/4W	144495	R125	RES MF 47.5K 1% 1/4W	144108
Q17	TRANSISTOR SI NPN 25V	132257	R56	RES MF 2.94K 1% 1/4W	144495	R126	RES MF 47.5K 1% 1/4W	144108
Q18	TRANSISTOR PNP SILICON	132172	R57	RES MF 2.94K 1% 1/4W	144495	R127	RES MF 47.5K 1% 1/4W	144108
Q19	TRANSISTOR NPN SILICON	132171	R58	RES MF 2.94K 1% 1/4W	144495	R128	RES MF 47.5K 1% 1/4W	144108
Q20	TRANSISTOR PNP	132263	R59	RES MF 365 OHM 1/4W	144071	R129	RES MF 10K 1% 1/4W	144053
Q21	COUPLER OPTICAL SCHMITT OUTPUT	131023	R60	RES MF 182 OHM 1/4W 1%	144273	R130	RES MF 47.5K 1% 1/4W	144108
Q22	TRANSISTOR SI NPN 25V	132257	R61	RES MF 365 OHM 1/4W	144071	R131	RES MF 47.5K 1% 1/4W	144108
Q23	TRANSISTOR SI NPN 25V	132257	R62	RES MF 182 OHM 1/4W 1%	144273	R132	RES MF 47.5K 1% 1/4W	144108
Q24	TRANSISTOR SI NPN 25V	132257	R63	RES MF 182 OHM 1/4W 1%	144273	R133	RES MF 10K 1% 1/4W	144053
Q25	TRANSISTOR SI NPN 25V	132257	R64	RES MF 365 OHM 1/4W	144071	R134	RES MF 3.32K 1% 1/4W	144095
Q26	TRANSISTOR SI NPN 25V	132257	R65	RES MF 182 OHM 1/4W 1%	144273	R135	RN 1/2 T1 15 OHM 1%	144161
Q27	TRANSISTOR SI NPN 25V	132257	R66	RES MF 365 OHM 1/4W	144071	R136	RES MF 2.21K 1% 1/4W	144298
Q28	TRANSISTOR SI NPN 25V	132257	R67	RES MF 2.1K 1% 1/4W	144299	R137	RES MF 2K 1/4W	144094
Q29	TRANSISTOR SI NPN 25V	132257	R68	RES MF 2.1K 1% 1/4W	144299	R138	RES MF 10K 1% 1/4W	144053
R1	RES MF 150 OHM 1% 1/4W	144122	R69	RES MF 2.1K 1% 1/4W	144299	R139	PTC RESETTABLE FUSE	144488
R2	RES MF 10K 1% 1/4W	144053	R70	RES MF 2.1K 1% 1/4W	144299	R140	PTC RESETTABLE FUSE	144488
R3	RES MF 47.5K 1% 1/4W	144108	R71	RES MF 2.67K 1% 1/4W	144121	R141	RES MF 56.2K 1% 1/4W	144402
R4	RES MF 47.5K 1% 1/4W	144108	R72	RES MF 2.67K 1% 1/4W	144121	R142	RES MF 10K 1% 1/4W	144053
R5	RES MF 100 OHM 1% 1/4W	144196	R73	RES MF 2.67K 1% 1/4W	144121	R143	RES MF 10K 1% 1/4W	144053
R6	RES MF 100 OHM 1% 1/4W	144196	R74	RES MF 2.67K 1% 1/4W	144121	R144	RES MF 10K 1% 1/4W	144053
R7	RES MF 100 OHM 1% 1/4W	144196	R75	RES MF 2.1K 1% 1/4W	144299	R145	RES MF 47.5K 1% 1/4W	144108
R8	RES MF 100 OHM 1% 1/4W	144196	R76	RES MF 2.1K 1% 1/4W	144299	R146	RES MF 47.5K 1% 1/4W	144108
R9	RES MF 10K 1% 1/4W	144053	R77	RES MF 2.1K 1% 1/4W	144299	R147	RES MF 4.75M 1% 1/4W	144379
R10	RES MF 47.5K 1% 1/4W	144108	R78	RES MF 2.1K 1% 1/4W	144299	R148	RES MF 100K 1% 1/4W	144113
R11	RES MF 47.5K 1% 1/4W	144108	R79	RES MF 3.32K 1% 1/4W	144095	R149	RES MF 47.5K 1% 1/4W	144108
R12	RES MF 47.5 OHM 1% 1/4W	144442	R80	RES MF 3.32K 1% 1/4W	144095	R150	RES MF 2.74M 1/4W	144271
R13	RES MF 10K 1% 1/4W	144053	R81	RES MF 3.32K 1% 1/4W	144095	R151	RES MF 475 OHM 1% 1/4W	144086
R14	RES MF 47.5K 1% 1/4W	144108	R82	RES MF 3.32K 1% 1/4W	144095	R152	RES MF 2.21K 1% 1/4W	144298
R15	RES MF 47.5K 1% 1/4W	144108	R83	RES MF 3.32K 1% 1/4W	144095	R153	RES MF 3.32K 1% 1/4W	144095
R16	RES MF 47.5K 1% 1/4W	144108	R84	RES MF 3.32K 1% 1/4W	144095	R154	RES MF 1.5K 1% 1/4W	144128
R17	RES MF 47.5K 1% 1/4W	144108	R85	RES MF 3.32K 1% 1/4W	144095	R155	RES MF 475 OHM 1% 1/4W	144086
R18	RES MF 47.5 OHM 1% 1/4W	144442	R86	RES MF 3.32K 1% 1/4W	144095	R156	RN 1/2 T1 15 OHM 1%	144161
R19	RES MF 47.5 OHM 1% 1/4W	144442	R87	RES MF 1.65K 1% 1/4W	144093	R157	RES MF 475 OHM 1% 1/4W	144086
R20	RES MF 47.5 OHM 1% 1/4W	144442	R88	RES MF 1.65K 1% 1/4W	144093	R158	RES MF 47.5K 1% 1/4W	144108
R21	RES MF 47.5 OHM 1% 1/4W	144442	R89	RES MF 1.65K 1% 1/4W	144093	R159	RES MF 3.32K 1% 1/4W	144095
R22	RES MF 47.5K 1% 1/4W	144108	R90	RES MF 1.65K 1% 1/4W	144093	R160	RES MF 2.21K 1% 1/4W	144298
R23	RES MF 47.5 OHM 1% 1/4W	144442	R91	RES MF 1.65K 1% 1/4W	144093	R161	RES MF 47.5 OHM 1% 1/4W	144442
R24	RES MF 47.5 OHM 1% 1/4W	144442	R92	RES MF 1.65K 1% 1/4W	144093	R162	RES MF 475K 1% 1/4W	144364
R25	RES MF 47.5 OHM 1% 1/4W	144442	R93	RES MF 1.65K 1% 1/4W	144093	R163	RES MF 47.5K 1% 1/4W	144108
R26	RES MF 47.5 OHM 1% 1/4W	144442	R94	RES MF 1.65K 1% 1/4W	144093	R164	RES MF 56.2K 1% 1/4W	144402
R27	RES MF 10K 1% 1/4W	144053	R95	RES MF 47.5K 1% 1/4W	144108	R165	RES MF 54.9K 1% 1/4W	144139
R28	RES MF 47.5K 1% 1/4W	144108	R96	RES MF 47.5K 1% 1/4W	144108	R166	RES MF 61.9K OHM 1/4W	144335
R29	RES MF 6.49K .5% 1/4W	144401	R97	RES MF 47.5K 1% 1/4W	144108	R167	RES MF 61.9K OHM 1/4W	144335
R30	RES MF 6.49K .5% 1/4W	144401	R98	RES MF 47.5K 1% 1/4W	144108	R168	RES MF 1K 1% 1/4W	144090
R31	RES MF 6.49K .5% 1/4W	144401	R99	RES MF 332 OHM 1% 1/4W	144446	R169	RES MF 22.1K 1% 1/4W	144187
R32	RES MF 6.49K .5% 1/4W	144401	R100	RES MF 332 OHM 1% 1/4W	144446	R170	RES MF 562 OHM 1% 1/4W	144408
R33	RES MF 6.49K .5% 1/4W	144401	R101	RES MF 332 OHM 1% 1/4W	144446	R171	RES MF 22.1K 1% 1/4W	144187
R34	RES MF 6.49K .5% 1/4W	144401	R102	RES MF 332 OHM 1% 1/4W	144446	R172	RES MF 95.3K 1% 1/4W	144127
R35	RES MF 6.49K .5% 1/4W	144401	R103	RES MF 5.62OHM 1/4W	144168	R173	RES MF 187K 1% 1/4W	144406
R36	RES MF 6.49K .5% 1/4W	144401	R104	RES MF 5.62OHM 1/4W	144168	R174	RES MF 332K 1% 1/4W	144119
R37	RES MF 100 OHM 1% 1/4W	144196	R105	RES MF 150 OHM 1% 1/4W	144122	R175	RES MF 475K 1% 1/4W	144364
R38	RES MF 100 OHM 1% 1/4W	144196	R106	RES MF 150 OHM 1% 1/4W	144122	R176	RES MF 47.5 OHM 1% 1/4W	144442
R39	RES MF 100 OHM 1% 1/4W	144196	R107	RES MF 150 OHM 1% 1/4W	144122	R177	RES MF 1.5K 1% 1/4W	144128
R40	RES MF 100 OHM 1% 1/4W	144196	R108	RES MF 150 OHM 1% 1/4W	144122	R178	RES MF 47.5 OHM 1% 1/4W	144442
R41	RES MF 1K 1% 1/4W	144090	R109	RES MF 6.49K .5% 1/4W	144401	R179	RES MF 47.5 OHM 1% 1/4W	144442
R42	RES MF 150 OHM 1% 1/4W	144122	R110	RES MF 6.49K .5% 1/4W	144401	R180	RES MF 100 OHM 1% 1/4W	144196
R43	RES MF 150 OHM 1% 1/4W	144122	R111	RES MF 6.49K .5% 1/4W	144401	R181	RES MF 332 OHM 1/4W 1%	144446
			R112	RES MF 6.49K .5% 1/4W	144401	R182	RES MF 47.5K 1% 1/4W	144108
			R113	RES MF 100 OHM 1% 1/4W	144196	R183	RES MF 10K 1% 1/4W	144053



PARTS LIST con't

R184	RES MF 365 OHM 1/4W 1%	144071
R185	RES MF 365 OHM 1/4W 1%	144071
R186	RES MF 182 OHM 1/4W 1%	144273
R187	RES MF 365 OHM 1/4W 1%	144071
R188	RES MF 182 OHM 1/4W 1%	144273
R189	RES MF 182 OHM 1/4W 1%	144273
R190	RES MF 365 OHM 1/4W 1%	144071
R191	RES MF 182 OHM 1/4W 1%	144273
R192	RES MF 365 OHM 1/4W 1%	144071
R193	RES MF 2.67K 1% 1/4W	144121
R194	RES MF 2.67K 1% 1/4W	144121
R195	RES MF 2.67K 1% 1/4W	144121
R196	RES MF 2.67K 1% 1/4W	144121
R197	RES MF 1.33K 1/4W 1%	144403
R198	RES MF 1.33K 1/4W 1%	144403
R199	RES MF 3920 OHM 1% 1/4W	144198
R200	RES MF 3920 OHM 1% 1/4W	144198
R201	RES MF 3920 OHM 1% 1/4W	144198
R202	RES MF 3920 OHM 1% 1/4W	144198
R203	RES MF 1.33K 1/4W 1%	144403
R204	RES MF 1.33K 1/4W 1%	144403
R205	RES MF 47.5K 1% 1/4W	144108
R206	RES MF 47.5K 1% 1/4W	144108
R207	RES MF 332 OHM 1% 1/4W	144446
R208	RES MF 332 OHM 1% 1/4W	144446
R209	RES MF 150 OHM 1% 1/4W	144122
R210	RES MF 150 OHM 1% 1/4W	144122
R211	RES MF 6.49K .5% 1/4W	144401
R212	RES MF 6.49K .5% 1/4W	144401
R213	RES MF 100 OHM 1% 1/4W	144196
R214	RES MF 6.49K .5% 1/4W	144401
R215	RES MF 100 OHM 1% 1/4W	144196
R216	RES MF 6.49K .5% 1/4W	144401
R217	RES MF 10K 1% 1/4W	144053
R218	RES MF 365 OHM 1/4W	144071
R219	RES MF 182 OHM 1/4W 1%	144273
R220	RES MF 365 OHM 1/4W	144071
R221	RES MF 182 OHM 1/4W 1%	144273
R222	RES MF 182 OHM 1/4W 1%	144273
R223	RES MF 365 OHM 1/4W 1%	144071
R224	RES MF 182 OHM 1/4W 1%	144273
R225	RES MF 365 OHM 1/4W 1%	144071
R226	RES MF 2.67K 1% 1/4W	144121
R227	RES MF 2.67K 1% 1/4W	144121
R228	RES MF 1.82K 1% 1/4W	144296
R229	RES MF 1.82K 1% 1/4W	144296
R230	RES MF 1.33K 1/4W 1%	144403
R231	RES 1.37K 1% 1/4W	144092
R232	RES MF 3920 OHM 1% 1/4W	144198
R233	RES MF 3920 OHM 1% 1/4W	144198
R234	RES MF 8.06K 1% 1/4W	144100
R235	RES MF 8.06K 1% 1/4W	144100
R236	RES MF 1.33K 1/4W 1%	144403
R237	RES 1.37K 1% 1/4W	144092
R238	RES MF 47.5K 1% 1/4W	144108
R239	RES MF 47.5K 1% 1/4W	144108
R240	RES MF 332 OHM 1% 1/4W	144446
R241	RES MF 332 OHM 1% 1/4W	144446
R242	RES MF 150 OHM 1% 1/4W	144122
R243	RES MF 150 OHM 1% 1/4W	144122
R244	RES MF 6.49K .5% 1/4W	144401
R245	RES MF 6.49K .5% 1/4W	144401
R246	RES MF 100 OHM 1% 1/4W	144196
R247	RES MF 6.49K .5% 1/4W	144401
R248	RES MF 100 OHM 1% 1/4W	144196
R249	RES MF 6.49K .5% 1/4W	144401
R250	RES MF 3.48K OHM 1/4W 1%	144448
R251	RES MF 365 OHM 1/4W 1%	144071

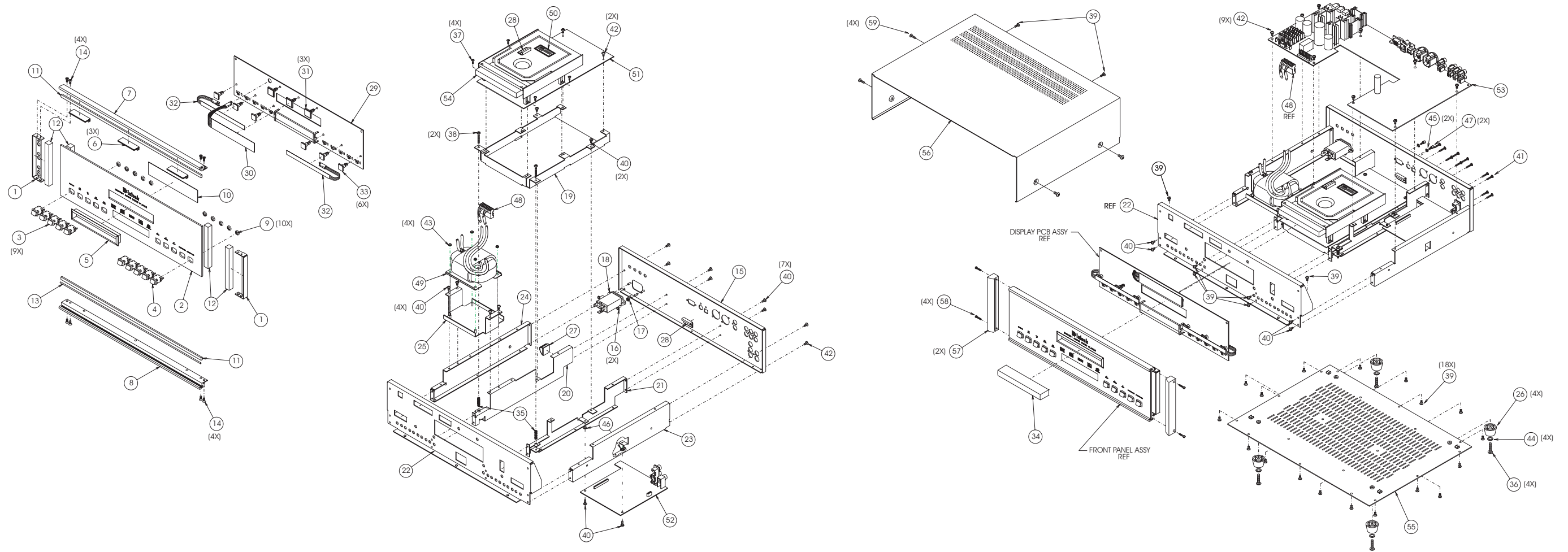
R252	RES MF 3.48K OHM 1/4W 1%	144448
R253	RES MF 365 OHM 1/4W 1%	144071
R254	RES MF 3.48K OHM 1/4W 1%	144448
R255	RES MF 365 OHM 1/4W 1%	144071
R256	RES MF 3.48K OHM 1/4W 1%	144448
R257	RES MF 365 OHM 1/4W 1%	144071
R258	RES MF 3.48K OHM 1/4W 1%	144448
R259	RES MF 365 OHM 1/4W 1%	144071
R260	RES MF 3.48K OHM 1/4W 1%	144448
R261	RES MF 365 OHM 1/4W 1%	144071
R262	RES MF 3.48K OHM 1/4W 1%	144448
R263	RES MF 365 OHM 1/4W 1%	144071
R264	RES MF 3.48K OHM 1/4W 1%	144448
R265	RES MF 365 OHM 1/4W 1%	144071
R266	RES MF 3.48K OHM 1/4W 1%	144448
R267	RES MF 365 OHM 1/4W 1%	144071
R268	RES MF 3.48K OHM 1/4W 1%	144448
R269	RES MF 365 OHM 1/4W 1%	144071
R270	RES MF 3.48K OHM 1/4W 1%	144448
R271	RES MF 365 OHM 1/4W 1%	144071
R272	RES MF 3.48K OHM 1/4W 1%	144448
R273	RES MF 1.5K 1% 1/4W	144128
R274	RES MF 2.21K 1% 1/4W	144298
R275	RES MF 806 OHM 1% 1/4W	144089
R276	RES MF 806 OHM 1% 1/4W	144089
R277	RES MF 100 OHM 1% 1/4W	144196
T1	TRANSFORMER DIGITAL INTERFACE	159285
U1	SINGLE 2-INPUT AND GATE	133502
U2	SINGLE 2-INPUT NAND GATE	133501
U3	SINGLE 2-INPUT OR GATE	133516
U4	D/A CONVERTER 192KHZ 24 BIT	133441
U5	IC DUAL OPERATIONAL AMPLIFIER	133260
U6	IC DUAL OPERATIONAL AMPLIFIER	133260
U7	IC SPST QUAD FET SWITCHES N O	133426
U8	IC OP AMP DUAL FET INPUT	133432
U9	IC OP AMP DUAL FET INPUT	133432
U10	IC DUAL OPERATIONAL AMPLIFIER	133260
U11	IC DUAL OPERATIONAL AMPLIFIER	133260
U12	IC DUAL OPERATIONAL AMPLIFIER	133260
U13	IC DUAL OPERATIONAL AMPLIFIER	133260
U14	IC REGULATOR 5V	133250
U15	IC REGULATOR 12V	133156
U16	IC REGULATOR -12V	133155
U17	IC -5V REGULATOR	133253
U18	IC RS232 LINE DRIVER	133380
U19	SINGLE 2-INPUT OR GATE	133516
U20	SINGLE 2-INPUT OR GATE	133516
U21	SINGLE 2-INPUT NAND GATE	133501
U22	PROGRAMMED VERSION OF 133495	133533
U23	IC TIMER	133212
U24	SINGLE 2-INPUT OR GATE	133516
U25	REGULATOR 3.3V LOW DROP	133464
U26	IC AND 2 INPUT X 4	133175
U27	REGULATOR 5V LOW DROP	133452
U28	IC MONOSTB MULTIVIB X 2	133182
U29	IC REGULATOR LOW DROPOUT ADJ	133531
U30	IC REGULATOR 1.25A LOW DROPOUT	133431
U31	IC REGULATOR 1.25A LOW DROPOUT	133431
U32	IC REGULATOR 1.25A LOW DROPOUT	133431
U33	D/A CONVERTER 192KHZ 24 BIT	133441
U34	SINGLE 2-INPUT OR GATE	133516
U35	SINGLE 2-INPUT OR GATE	133516
U36	IC SPST QUAD FET SWITCHES N O	133426
U37	IC OP AMP DUAL FET INPUT	133432
U38	IC OP AMP DUAL FET INPUT	133432
U39	IC DUAL OPERATIONAL AMPLIFIER	133260
U40	D/A CONVERTER 192KHZ 24 BIT	133441
U41	IC SPST QUAD FET SWITCHES N O	133426
U42	IC OP AMP DUAL FET INPUT	133432
U43	IC OP AMP DUAL FET INPUT	133432

U44	IC DUAL OPERATIONAL AMPLIFIER	133260
Y1	RESONATOR CERAMIC 6.0MHZ W/CAP	180039

◇ DISPLAY PCB 050115

C1	CAP ELECT 10UF 16V	066382
C2	CAP ELECT 47UF 16V	066380
C3	CAP ELECT 10UF 50V LOW ESR	066437
C4	CAP MONO 1000PF 50V 10% NPO	061303
C5	CAP ELECT 47UF 16V	066380
C6	CAP MONO .1uF 50V 20% Z5U	061305
C7	CAP MONO .1uF 50V 20% Z5U	061305
C8	CAP MONO .1uF 50V 20% Z5U	061305
C9	CAP MONO .1uF 50V 20% Z5U	061305
C10	CAP ELECT 47UF 16V 6.3X5 CASE	066380
DS1	LED GRN 5MM HI-INTENSITY	058165
DS2	LED GRN 5MM HI-INTENSITY	058165
DS3	LED GRN 5MM HI-INTENSITY	058165
DS4	LED SQUARE RED	058109
DS5	VACUUM FLUORESCENT DISPLAY	310346
DS6	LED SQUARE RED	058109
J1	CONN 12 PIN FFC	117720
J2	FFC CONNECTOR 17PIN	117853
J3	BLADE FASTON W/FEET	117708
L1	CHOKO 18uH 5%-10%	122224
MT1	SENSOR IR 38KHZ	121046
Q1	TRANSISTOR NPN	132223
R1	RES MF 100 OHM 1% 1/4W	144196
R2	RES MF 100 OHM 1% 1/4W	144196
R3	RES MF 100 OHM 1% 1/4W	144196
R4	RES MF 332 OHM 1% 1/4W	144446
R5	RES MF 10 OHM 10% 1/4W	144157
R6	RES MF 10K 1% 1/4W	144053
R7	RES MF 332 OHM 1% 1/4W	144446
R8	RES MF 8.25K 1% 1/4W	144153
R9	RES MF 47.5K 1% 1/4W	144108
R10	RES MF 47.5K 1% 1/4W	144108
R11	RES MF 47.5K 1% 1/4W	144108
R12	RES MF 1K 1% 1/4W	144090
R13	RES MF 1K 1% 1/4W	144090
R14	RES MF 1K 1% 1/4W	144090
R15	RES MF 4.22K 1% 1/4W	144476
R16	RES MF 150 OHM 1% 1/4W	144122
R17	RES MF 150 OHM 1% 1/4W	144122
R18	RES MF 150 OHM 1% 1/4W	144122
R19	RES MF 182 OHM 1/4W 1%	144273
R20	RES MF 182 OHM 1% 1/4W	144273
R21	RES MF 267 OHM 1% 1/4W	144173
S1	SWITCH PB TACT	150058
S2	SWITCH PB TACT	150058
S3	SWITCH PB TACT	150058
S4	SWITCH PB TACT	150058
S5	SWITCH PB TACT	150058
S6	SWITCH PB TACT	150058
S7	SWITCH PB TACT	150058
S8	SWITCH PB TACT	150058
S9	SWITCH PB TACT	150058
S10	SWITCH PB TACT	150058
U1	5X7 DOT CHARACTER DISPLAY DRIVER	310345
Y1	CERAMIC RESONATOR	180038

# EXPLODED VIEW AND PARTS LIST



Ref. No.	Part No.	Description
1	005090	BRACKET EXTRUSION
2	016513	GLASS MVP861
3	017517	PUSHBUTTON ASSY
4	017531	PUSHBUTTON ASSY RED
5	017781	BEZEL FRONT
6	017906	FAB GUIDE PCB
7	018585	EXTRUSION MATERIAL, GLASS
8	018706	EXTRUSION BOTTOM
9	078033	O-RING
10	092445	DISPLAY FILTER
11	094016	TAPE FOAM 1/4 X 1/8 IN
12	094360	TAPE FOAM 1/2 X 1/2 IN
13	098113	CORD DIAL .027 BLK BRAID SLK
14	100147	SCREW MACH 6-32 X 3/16 PHIL
15	005448	FAB REAR PANEL
16	102001	NUT KEP 4-40 ZINC PLATE
17	102020	NUT MACH 6-32 SELF-LOCK
18	117755	RECEPTACLE INPUT & LINE FILTER
19	005444	TRAY
20	005445	FAB BRACKET LEFT
21	005446	FAB BRACKET RIGHT
22	005447	FAB SUBPANEL
23	005449	FAB SIDE RIGHT
24	005450	FAB SIDE LEFT
25	005451	FAB BRACKET TRANSFORMER
26	017218	FOOT PLASTIC BLACK
27	017452	KLIP WIRE
28	017687	CLAMP CABLE
29	050115	ASSY PCB DISPLAY
30	017901	LOGO PUSHBUTTON BACKLIGHT
31	017902	SUPPORT PCB LOCKING ADHSV BASE
32	017907	TITLE/PUSHBUTTON BACKLIGHT
33	017933	CIRCUIT BOARD SUPPORT
34	017963	MOLD DOOR MVP861
35	019056	SPRING
36	100159	SCREW MACH 10-32 X 3/4 PH PN BLK
37	100296	SCREW MACH SEM 4-40 X 5/16 PH PN
38	100300	SCREW MACH SEMS 6-32 X 1 PH PAN
39	101054	SCREW TAPTT 6-32 X 1/4 PH PN BLK
40	101196	SCREW TAP SEMS 6-32 X 1/4 PH PAN
41	101197	SCREW HI/L0 4-24 X 3/8 PH RD BLK
42	101222	SCREW TT SEMS 6-32 X 1/4 PH PAN
43	102003	NUT MACH 6-32 W/LOCK
44	104083	WASHER #10 PLATED 10406200
45	104142	WASHER LOCK 2.5mm INT STR ZINC
46	104145	WASHER NYLON BLK
47	112015	STAND-OFF
48	117800	MTA CONNECTOR 8PIN .156
49	159343	TRANSFORMER R-CORE POWER
50	166034	LABEL INTERNAL LASER WARNING
51	320176	MAIN UNIT
52	320177	VIDEO UNIT
53	050114	ASSY PCB MAIN
54	320178	DVD MECHANISM ASSY DVD-2900

# REPACKING INSTRUCTIONS

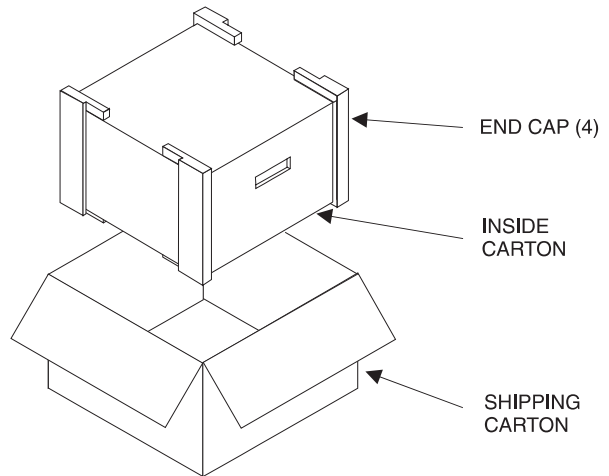
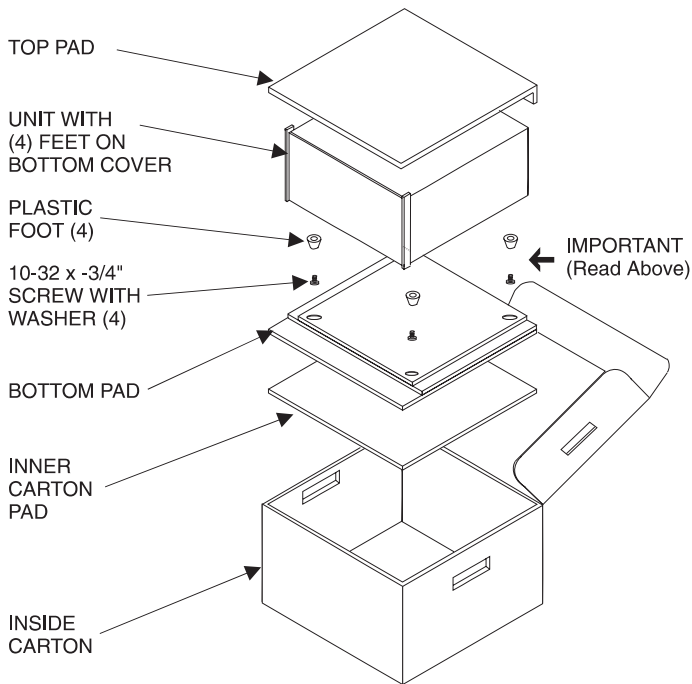
In the event it is necessary to repack the unit for shipment, the unit must be packed exactly as shown below.

*IMPORTANT - The four plastic feet must be attached to the bottom of the unit so they will locate in the four holes of the bottom pad. Failure to do this will result in shipping damage.*

If a shipping carton or any of the interior parts is needed, please call or write the Customer Service Department of McIntosh Laboratory. Order parts from the accompanying list by part number.

Use the original shipping carton and interior parts only if they are in good serviceable condition.

Qty.	Part No.	Description
1	034075	Shipping carton only
4	033837	Foam end cap
1	034076	Inside carton only
1	033726	Top pad
1	034036	Bottom pad
1	034077	Inner carton pad
4	017218	Plastic foot
4	100159	#10-32 x 3/4" Machine screw
4	104083	#10 x 7/16" Flat washer
1	049270	Shipping carton complete with all the above parts.



# MVP861

## DVD AUDIO/VIDEO PLAYER

### SERVICE MANUAL



The continuous improvement of its products is the policy of McIntosh Laboratory Incorporated, who reserve the right to improve design without notice. Because of the constant upgrading of McIntosh products' circuitry and components, the Company cannot insure, and does not warrant, the accuracy of the within schematic material, which is intended for information only.

McINTOSH LABORATORY, INC., 2 CHAMBERS STREET, BINGHAMTON, NEW YORK 13903 Printed in U.S.A. Part Number 040968